

## Handling package electronic ML version

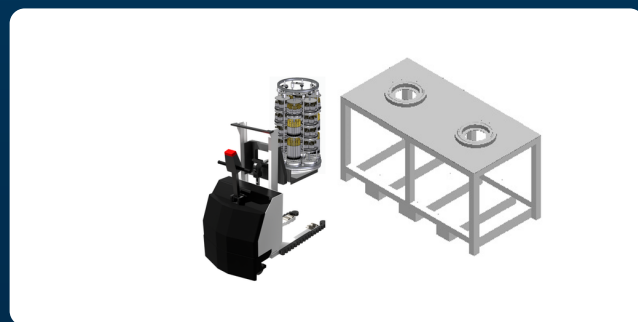
Artikel-Nr. 26085

Handling package electro ML: This package enables you to change the coating batch within a very short time and thus make your production even more economical. The package includes an electro-hydraulic RoRo-Mobil with set-down station. This allows the second substrate table, which is also included, to be changed as quickly as possible.

Experten kontaktieren

+49 2405 44 70 122

coatingtechnology@cemecon.de



### Technische Daten

Coating procedure

**Coating**

Process step

**Transportation**

Tool type

**Indexable inserts**

**Shank tools**

Coating unit

**CC800®HiPIMS**

**CC800®/9 ML**

## Scope of delivery:

- 1 Electric pallet truck in special design
- 1 Substrate table ø400 - 6s/9ML
- 1 Parking station 650 table with adapter for substrate table ø400 - 6s/9ML