

CR166 Cleaning line

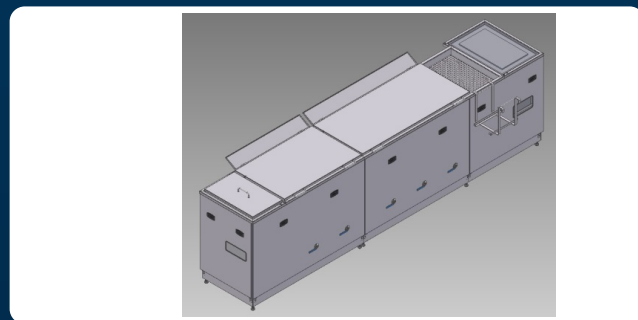
Artikel-Nr. 32749

Pretreated surfaces have proven their worth in tool coating, as they are an important prerequisite for coating quality.

Experten kontaktieren

+49 2405 44 70 122

coatingtechnology@cemecon.de



Technische Daten

Coating procedure	Follow up treatment
	Pretreatment
Process step	Clean
Net weight	approx. 650 kg
measurement (LxWxH)	3320 x 740 x 920 mm
Connector	400V/50Hz; 3 Ph+N+PE
Type	CR166
Connected Load (KW)	2 x 3

The CR166 cleaning system is a compact 7-chamber cleaning system for thorough cleaning of tools and components. The CR166 can be used to clean all common HSS and HM tools as well as components.

The CR166 multi-chamber cleaning system cleans in water and alkaline cleaning solution. The cleaning steps consist of ultrasonic cleaning, city water rinsing and rinsing with demineralized water. Drying is done by means of compressed air followed by hot air drying. The cleaning system is equipped with a 2-sided ultrasonic tank and oil separator. This achieves optimized cleaning results.

Transport between stations is done manually by the operator.

Scope of delivery:

- 1 x Cleaning line CR166
- 2 x Water demineralization cartridge
- 1 x Conductivity meter
- 2 x Cleaning baskets
- Cleaning solution initial filling for 3 months
- Installation kit